

RHK Cylinder Design Sheet – Single Stage Cylinder

CUSTOMER NAME _____

Cylinder Application _____

Qty of Cylinders Requested _____

Double Acting Cylinder _____ Single Acting Cylinder _____

Cylinder Capacity:

CYLINDER PUSH REQUIREMENT _____ (lbs)

CYLINDER PULL REQUIREMENT _____ (lbs)

Port Options (ORB, NPT, C61)

Extend Port Size _____ Retract Port Size _____

Bushings or Bearings? Specify _____

Valve Requirements? Specify _____

Additional Information and/or notes

STYLE OF CYLINDER CONNECTIONS

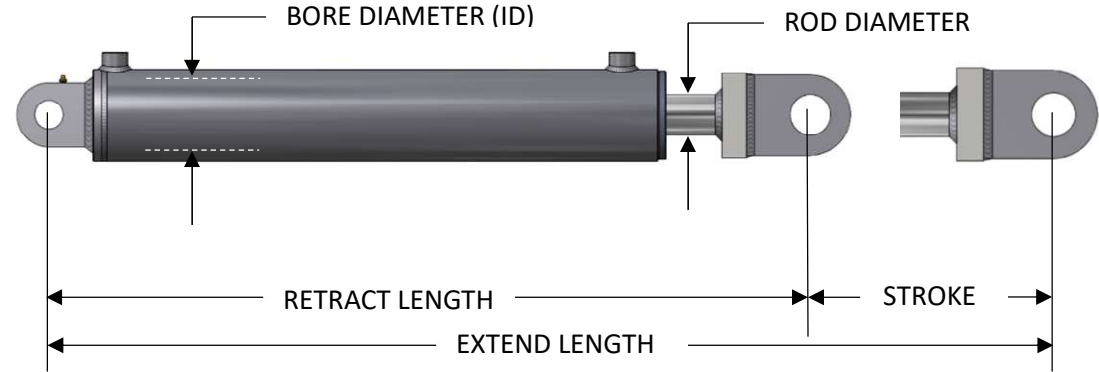
Please circle type of Connection
Identify for Barrel End and/or Rod End
Provide Detailed Information
Pin Diameter _____

Length Cross Tube or Spacing of Lugs

If other please specify:

Cylinder Key Dimension

(Lug Style Connections Shown for Illustration Purposes only)



Bore Diameter _____ (in) Retract Length _____ (in)

Rod Diameter _____ (in) Extend Length _____ (in)

Stroke Length _____ (in) Working Pressure _____ (psi)

