

# POSITION SENSING SMART CYLINDERS

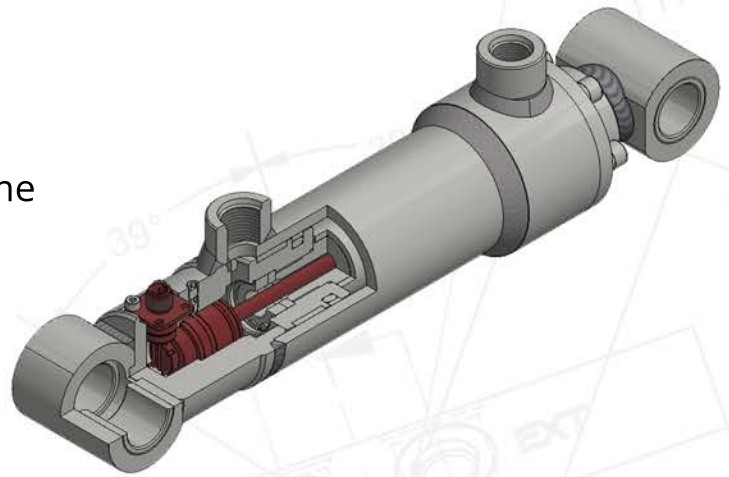
## HIGH TECH CAPABILITIES

Position Sensing (SMART) technology brings major benefits to mobile hydraulic and industrial applications in a world where productivity is everything. An electronic position sensing option can be incorporated into any custom RHK cylinder, providing feedback data that can be used in many ways to monitor, control and automate equipment.

### *The SMART Cylinder Advantage:*

- ▶ Increased Productivity
- ▶ Reduced Maintenance and Downtime
- ▶ Reduced Operator Fatigue

Our sales and engineering team is ready to develop a solution for your specific application. Call RHK today!



## DESIGNED AND MANUFACTURED TO YOUR SPECS

- ▶ Custom Bore Size and Stroke length
- ▶ Lifting Capacity to suit application
- ▶ Custom Mounting Configuration
- ▶ Porting options (ORB, NPT, C61)
- ▶ Counterbalance Valves
- ▶ Threaded / Bolted Gland
- ▶ Custom Paint to your spec



**RHK**  
Hydraulic Cylinder Services Inc.

FROM PROTOTYPE  
TO PRODUCTION

[www.rhkhydraulics.com](http://www.rhkhydraulics.com) | 780.452.2876